

# LEADING BY A HEAD

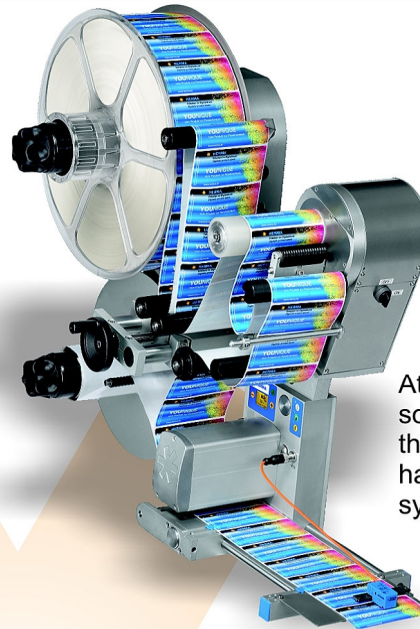
Update your label heads to our  
400 WATT Servo Technology now!!!

## \* HERMA H400

Years in development, Herma engineers have designed the definitive Servo controlled labelling head. Everything they and their Clients could think of over the last 101 years of Labelling history has been incorporated!!

Incredibly this head is capable of dispensing up to 160 meters per minute. What does that mean to the end user... Dispensing at 2000 labels /minute, or accuracy to 1/3 of a millimetre, handling of large in feed reels and continuous repeatability.

In the redesign, **HERMA** engineers incorporated just about everything you might need into the control system located right inside the motor housing. There are several configurations to choose from, but it is all built in at the outset enabling a customer to upgrade at his leisure.



At last we have a head that is so reliable and so accurate, that we can concentrate on handling your product for a system that works for you.

### Everything under control



For individually configuring your applicator the clearly laid out display panel allows for convenient and simple adjustment to the operating parameters.



The Herma advantage: whatever the configuration, the basic servo drive unit remains the same!  
One unit, one development, one spare part.

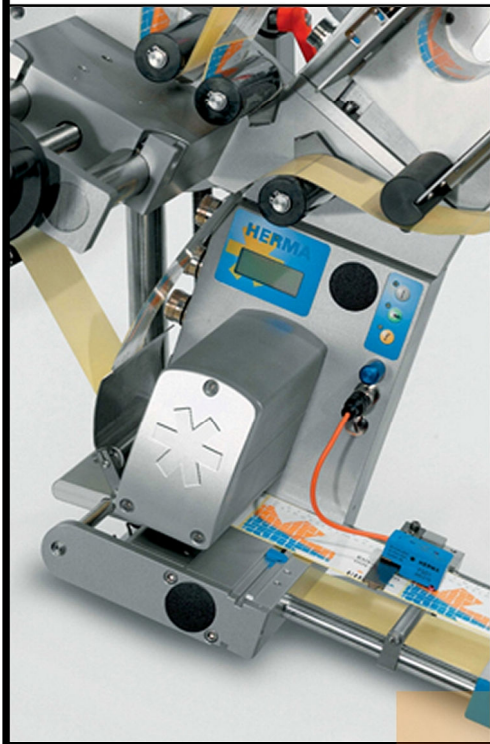
- ▶ Control integrated into the applicator – no separate control box is required
- ▶ Compact design with clearly laid out operating display.
- ▶ Custom Servo control designed perfectly for label applications with appropriate ramp up and ramp down.
- ▶ Available Encoder follower circuits to precisely follow a Conveyor or Rotary turret drives.
- ▶ Available as left-hand and right-hand versions, for upright, horizontal or suspended operation
- ▶ Variable speeds and adjustable gear ratios. Start delays, stop delays, missing label advances, shift registers.
- ▶ PLC connection, Transparent labels – no problem at all
- ▶ Patented Inductive label sensor that can mount right at the dispense blade to handle even Mylar labels, without the need to play with photo electrics which can dust up.
- ▶ Brackets Printers, barcode readers, print engines.
- ▶ A Myriad of bolt on standard options are available to handle the most demanding challenges.
- ▶ Wide range power input 100V -240V AC , 50 Hz or 60 Hz

HermaHead 20080226 P1

## HERMA H400

### DEFINITELY.... MORE FEATURES THAN ANY OTHER SYSTEM

- So compact it will take less space than your old labeling applicator
- No control Box needed
- Robust aluminum and stainless construction
- IP65 (NEMA 4) standard
- CSA and ULC approved
- No need to motorized the unwind spool for roll of label up to 12" OD
- Exclusive quick rotate hub to release Label core
- Exclusive quick rotate hub to release Label backing
- Loose Loop option for Ultra Speeds
- If you have a regular head, upgrade to higher speeds with a chip
- Power unwind and rewind options
- Missing label on the web function



### Perfect for the role



An Exclusive Herma feature is the twist on/twist off Core and rewind holders. Just twist a knob and the core is released to load fresh Labels. The same system for the backing paper. Just the faster label changes will probably pay for your Head!



### NEED EVEN MORE FROM OUR HEAD?

- 160 meters/minute over 7ft per second
- Change parameters on panel or with a PC or a PLC
- Ethernet connection
- Multiple labeling applicators interconnect
- Real time speed synchronization during labeling

### OTHER SERVICES OR PARTS THAT WE PROVIDE?

- Integration
- Modification of your existing mounting support
- Reconditioning of your complete labeler
- Improve your Labeling tasks
- Add Hot stamp, laser printers
- Add Cameras, barcode readers
- Add reject Shelves, aligners.....

### The HERMA 400 Rotary Applicator

A space-saving HERMA label applicator allows your existing rotary machine base to apply self-adhesive labels.

The H400 Slim Line excels with an especially slim build.

The controls are completely integrated into the applicator's drive unit which means that an external control box is no longer required.

The modular mounting pedestal provides quick and simple adjustment

both height and angle of label application which guarantees the

optimum labelling position can be achieved on whatever rotary base

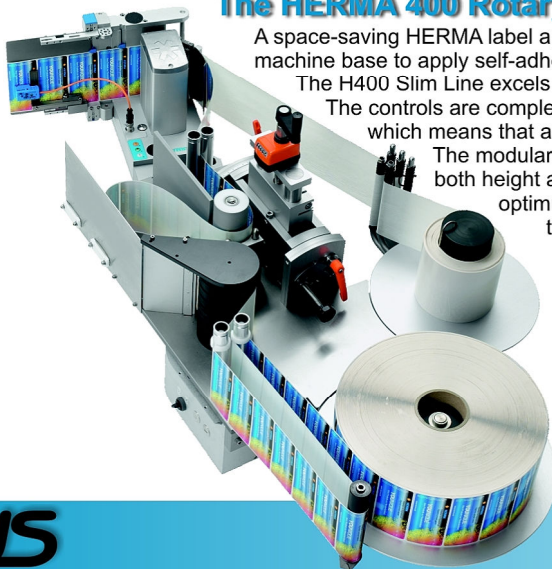
the HERMA Slim Line is fitted.

Depending on the type of unwind and rewind units fitted the HERMA 400 Slim Line will attain a speed of up to 150 m/min (95"/sec) while maintaining the highest possible level of accuracy.

This corresponds to a performance of approx. 1,000 labels per minute with a label length of approx. 110 mm (4.3").

A very important feature is that the applicator will automatically synchronize to the speed of the rotary machine.

An optional RS 485 interface allows serial data transfer to and from a host control.



Rigid beak with application roller  
For linear labelling, the spring loaded application roller applies the label onto the product.



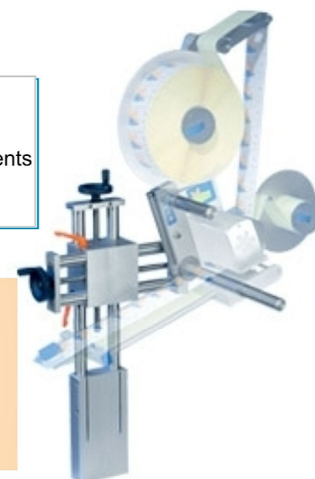
Brackets are available for most Hot foil, Laser, Injet, Barcode and Camera systems.



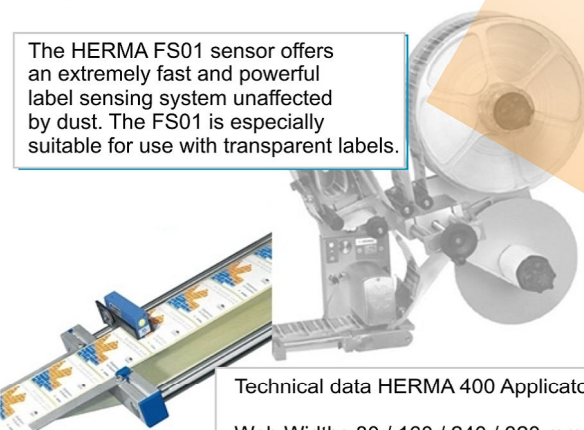
Pivot beak with application roller  
The ideal solution for the linear labelling of objects with varying heights or uneven surfaces.



HERMA Mounting pedestals  
Easily adjustable in all planes, with precision smooth adjustments of the label application angles.



The HERMA FS01 sensor offers an extremely fast and powerful label sensing system unaffected by dust. The FS01 is especially suitable for use with transparent labels.



Universal stands are available for top, bottom and side mounting in Stainless steel or aluminum to suit your application.



#### Technical data HERMA 400 Applicator

Web Widths 80 / 160 / 240 / 320 mm label length unlimited

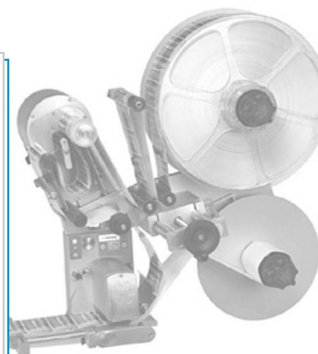
Core diameter 76mm/3" Standard  
Outer diameter 300/400 mm/ 12"/16"

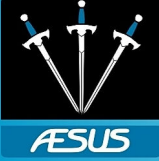
Motorized unwinder – outer diameter 400 mm/ 16"  
(a loose loop type unwinder is optional)

Speed 0-150 meters/min.

Capacity Over 1000 labels/min.

Mounting position vertical, horizontal, upside down





# Labelers for Pharmaceuticals Cosmetics and Food

# Labelling

## Premier StarWrap Labeler

Up to 300/min Premium wrap labeller all dressed!



## Delta Wrap Labeler

Up to 150/min intermediate wrap labeller with conveyor, touchpanel



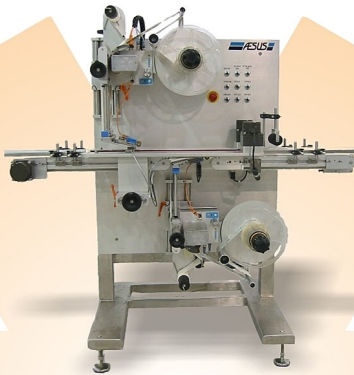
## Eco Wrap Labeler

Up to 100/min Economy open frame wrap labeller with conveyor



## Premier Top & Bottom Labeler

Up to 200/min orientation verification coding, cameras, reject station



## Delta Top & Bottom Labeler

Up to 150/min intermediate labeller with conveyors, and options



## Eco Top Labeler

Up to 100/min for the budget straightforward and simple



## Premier Panel Labeler

Up to 200/min, with wrap option, alignment coding, camera verification, reject station



## Delta Panel Labeler

Up to 150/min intermediate 2 sided labeller with conveyor and touchpanel

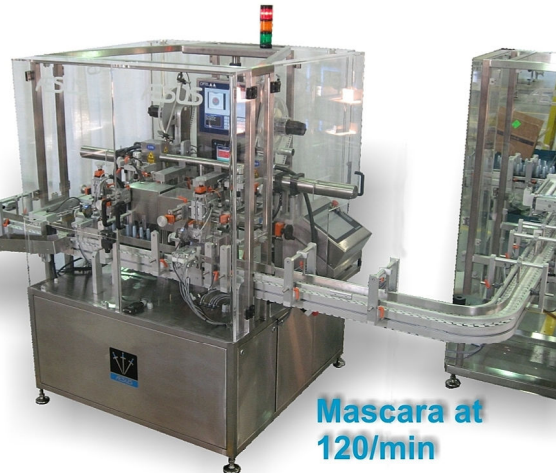


## Eco Panel Labeler

Interchangeable to a wrap unit perfect for easy jobs



## Vials on servo roller conveyor



## Mascara at 120/min

**If you should need a labelling machine**  
Aesus manufactures special purpose machines utilising the myriad of brackets, accessories, experience and designs that we and our partners at Herma have developed over the last 101 years, possibly the most experience anywhere!

**Aesus Labelling Systems**  
188 Oneida, Pointe Claire  
Montreal, Quebec  
H9R 1A8, Canada  
t: 514-694-3439  
f: 514-694-4107  
label@aesus.com  
www.aesus.com